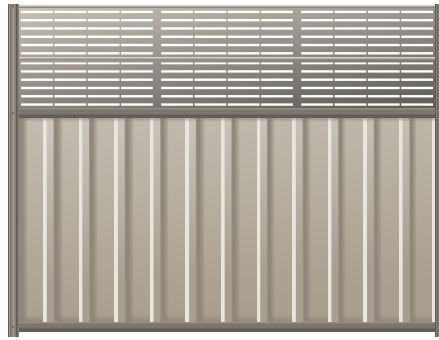
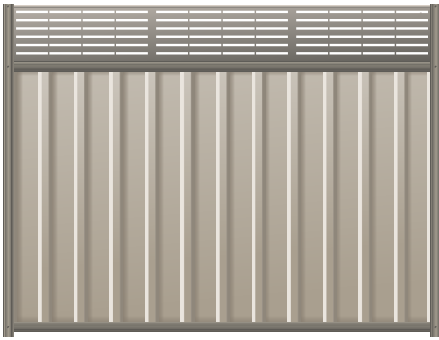


## Looks Great on new Fencing . . .



### Options

### Single

1 x 300mm H\*

### Double

2 x 300mm = 600mm H\*

### Triple

3 x 300mm = 900mm H\*

Height

300mm

STD Width

2350mm

XL Width

3115mm

\*1800mm high is the maximum recommended finished height.

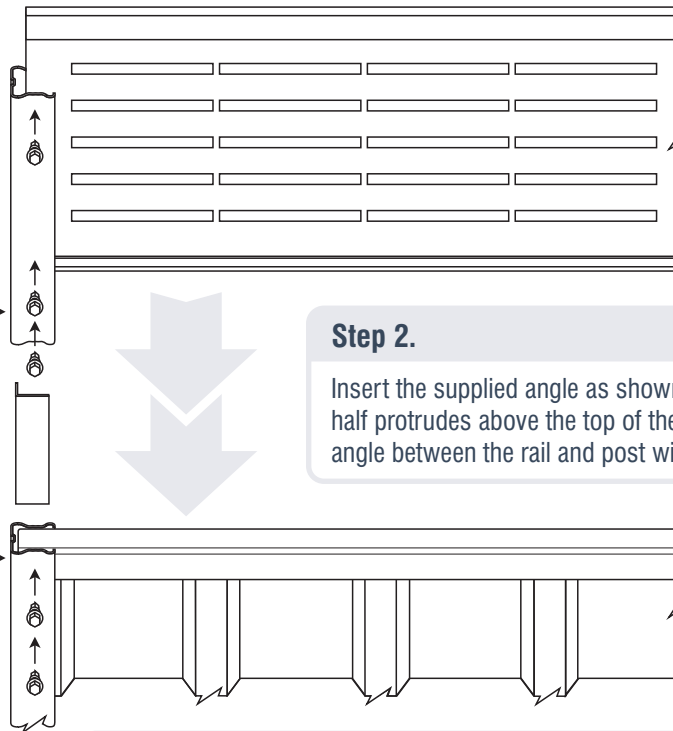
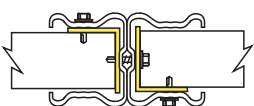
## or add Privacy and Value to an Existing Fence.

### Single Post Installation

Extra bracket (installed opposing the first), and two additional tek screws (fitted to the end of the post), may be required in a single post installation such as the end of a fence or a gate. (Purchased separately).



### Double Post Top View



### Step 1.

Remove the tek screws retaining the top rail of your existing Colorbond® fence panel.

### Step 2.

Insert the supplied angle as shown into the post so approximately half protrudes above the top of the post. Once in place, secure the angle between the rail and post with a tek screw as shown.

### Step 3.

Fit post extension to angle to match existing post so the extension is hard on top of the post. Slide in the Slattice® panel to the

post extensions so the panel is flush with the top of the extension and hard on top of the existing panel. Fit tek screws as shown to secure your new Slattice® fence top and enjoy. NB. An additional rail may be incorporated to top of Slattice® if required.

## Specifications

Slattice® Fence Tops are manufactured from galvanised sheet metal that has been punched and folded to our unique registered design\* and supplied with a durable powder coated finish to ensure long lasting strength together with great looks. This registered design\* enables you to achieve 300mm, 600mm, 900mm high fence tops as desired. For warranty information please see 'We Care Policy' on our website.

\* colour names are registered trademarks of BlueScope steel Limited.

\*registered design no. 200812969