

# OUR TOWN FENCING

ABN: 43 083 444 544

DIVISION OF: B.J.B INDUSTRIES PTY LIMITED

NEWCASTLE  
DISPLAY CENTRE  
106 LAKE RD  
WALLSEND 2287

PHONE: (02) 4955 8125

FAX: (02) 4951 8590

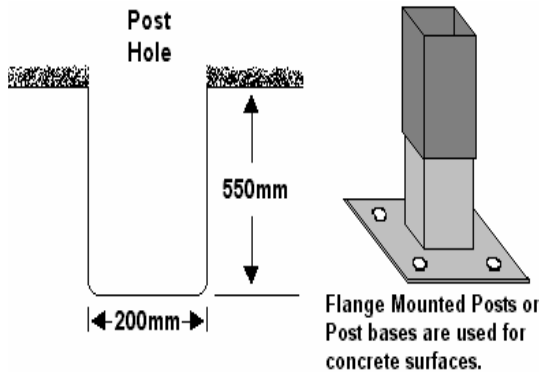
WEB: [www.ourtownfencing.com.au](http://www.ourtownfencing.com.au)

EMAIL: [wallsend@ourtownfencing.com.au](mailto:wallsend@ourtownfencing.com.au)

## Self Installation Guide For Pool Fencing

### Planning Your Fence

1. Check with your local council for their specifications regarding fence positioning, Height, Gaps and Gate etc.
2. Check for underground services eg. (Gas, Power, Water and Telephone) etc.
3. Peg out your fence with a string line



### Installing Your Pool Fence

#### 1. Set Up and Dig

- Start by marking out the post holes of the gate to suit your steps or path way.
- From here you can mark out the rest of your post holes.
- They should be about 600mm x 200mm across, for soft Soil or Sand the holes will need to be bigger.
- Now you can dig all your holes

#### Helpful Hints:

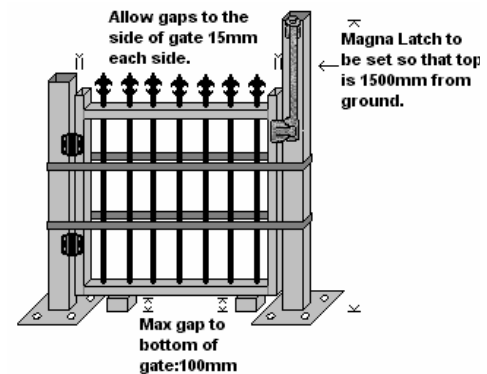
- It's Easier to start from the high end and work down hill.
- Use a 2400w spacer or panel to mark out where to dig the post holes.

#### 2. Installing Your Pool Safety Gate

- Position your pool safety gate using your level and timber props
- Put one of the chocks under the gate, allowing a gap of no more the 100mm
- Fill hole to about 200mm with dry mix concrete, and compact it hard to secure the post

#### Helpful Hint:

- Install the panels first because the gate can not be altered on location as easy as the panels can be, in case there is a problem with any measurements.



**Do not use Rapid Set concrete with Aluminium Post**

### 5 CONVENIENT STORE LOCATIONS:

**NEWCASTLE:**  
Ph: 4955 8125  
Fax: 4951 8590  
106 Lake Road  
Wallsend  
NSW 2287

**WOLLONGONG:**  
Ph: 4257 5552  
Fax: 4257 5553  
108 Industrial Rd  
Oak Flats  
NSW 2529

**COFFS HARBOUR:**  
Ph: 6651 4744  
Fax: 6651 4122  
25 Isles Dr  
Coffs Harbour  
NSW 2540

**PORT MACQUARIE:**  
Ph: 6581 1538  
Fax: 6581 0700  
18 Jindalee Rd  
Port Macquarie  
NSW 2444

**PORT STEPHENS/HUNTER VALLEY:**  
Ph: 4987 5922  
Fax: 4987 5622  
315 Pacific Highway  
Heatherbrae  
NSW 2324

Website: [www.ourtownfencing.com.au](http://www.ourtownfencing.com.au)

Email: [wallsend@ourtownfencing.com.au](mailto:wallsend@ourtownfencing.com.au)

### Tools Required

- Electric Drill
- Wheelbarrow
- Shovel
- Spirit Level
- Crowbar
- Tape Measure
- String Line
- Mallet
- 10mm Magnetic Drill Bit (Nutsetter)
- Concrete (Pre-Mix)
- Timber for propping, timber chocks for packing.

*All available from Our Town Fencing.*

# OUR TOWN FENCING

ABN: 43 083 444 544

DIVISION OF: B.J.B INDUSTRIES PTY LIMITED

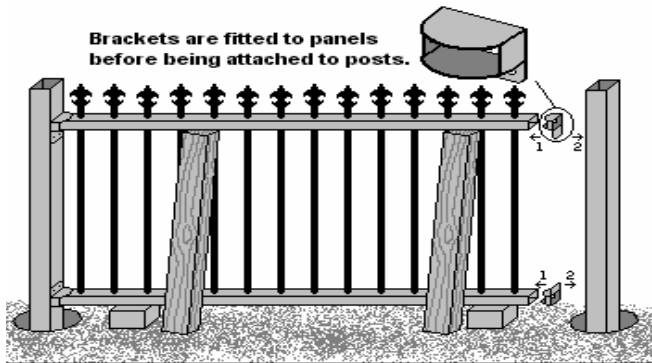
NEWCASTLE  
DISPLAY CENTRE  
106 LAKE RD  
WALLSEND 2287

PHONE: (02) 4955 8125

FAX: (02) 4951 8590

WEB: [www.ourtownfencing.com.au](http://www.ourtownfencing.com.au)

EMAIL: [wallsend@ourtownfencing.com.au](mailto:wallsend@ourtownfencing.com.au)



### 3. Fit Post and Panels

- Starting from the gate, lay all of your panels and post, and ensure that none of the gaps exceed 0.100m
- Chock the panels, and tek screw your rail fixing bracket to the panel, and then to the post
- Ensure that the magna latch unlocking mechanism will sit 1500mm off the ground, and that it is on the right side of the post so that when the gate is opened it opens out away from the pool.

### Helpful Hints

- Use the props to keep your fence in position while you work
- Use packers to ensure ground clearance is maintained
- Keep checking string line and levels
- On Sloping sites, ensure you step panels evenly before screwing teks
- See local council for Maximum Gaps and Height.

### 4. Concreting Post Holes

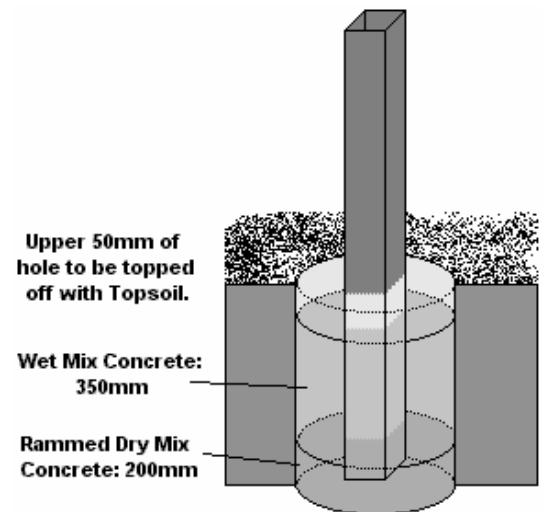
- Now compact dry mix concrete into the post holes to secure the post
- Check your string line levels
- Pour wet cement into the holes to about 50mm below ground level

### Helpful Hint

- Wipe all post and panels to remove excess cement and dirt

### 5. Finishing Off

- Wait 24 hours for cement to dry
- Place caps on post and gate with rubber mallet
- Remove all props and chocks from the fence
- Backfill some top soil over the exposed cement to cover up and tidy up
- Remove straps from the pool gate



### Disclaimer

Our Town Fencing takes no responsibility for the out come of this guide; it is highly recommended that you seek your local council for rules and regulations.

### 5 CONVENIENT STORE LOCATIONS:

**NEWCASTLE:**  
Ph: 4955 8125  
Fax: 4951 8590  
106 Lake Road  
Wallsend  
NSW 2287

**WOLLONGONG:**  
Ph: 4257 5552  
Fax: 4257 5553  
108 Industrial Rd  
Oak Flats  
NSW 2529

**COFFS HARBOUR:**  
Ph: 6651 4744  
Fax: 6651 4122  
25 Isles Dr  
Coffs Harbour  
NSW 2540

**PORT MACQUARIE:**  
Ph: 6581 1538  
Fax: 6581 0700  
18 Jindalee Rd  
Port Macquarie  
NSW 2444

**PORT STEPHENS/HUNTER VALLEY:**  
Ph: 4987 5922  
Fax: 4987 5622  
315 Pacific Highway  
Heatherbrae  
NSW 2324

Website: [www.ourtownfencing.com.au](http://www.ourtownfencing.com.au)

Email: [wallsend@ourtownfencing.com.au](mailto:wallsend@ourtownfencing.com.au)